



The HybriX® DN15D10 Directional Coupler is designed without an internal termination. The DN15D10 is intended for power monitoring and frequency detection in high power systems. It is manufactured using the highest quality standards in a surface mount package for easy circuit integration.

Specifications

Part Number	DN15D10
Frequency (GHz)	.815 - .960
Mean Coupling (dB)	10 ± 1.0
Insertion Loss (dB Max)	.25
VSWR (Max: 1)	1.17
Frequency Sensitivity (dB Max)	± .40
Directivity (dB Min)	18
Average Power (Watts)	150
Operating Temperature (C°)	-55 to +85
Size (in.)	.560 x .350
Size (mm)	(14.22 x 8.89)

Features/Benefits

- Bandwidth: .815 - .960 GHz
- Surface Mountable
- Excellent Coupling
- Small Size
- Low VSWR
- Good Directivity
- Low Cost Microstrip Design

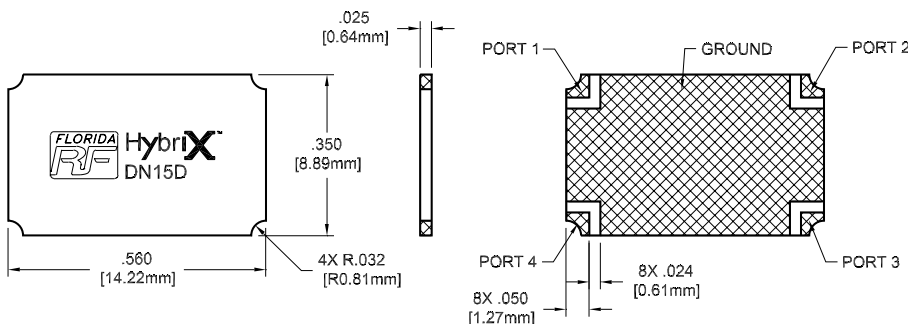
Applications

- PCS Applications
- 2.5G Applications
- Power Monitors
- Reflectometers

Ordering Information

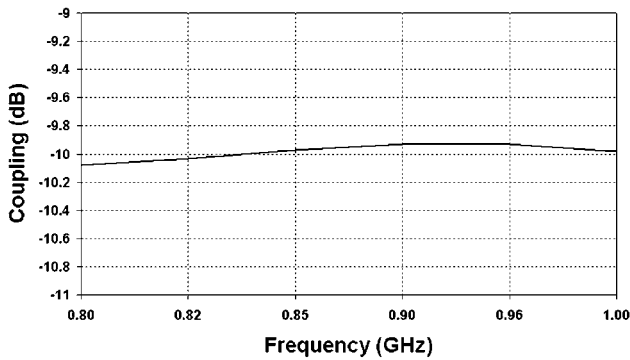
Part Number	Packaging	dB
DN15D10	Tube	10
DN15D10-TR	Tape & Reel	10

Dimensions

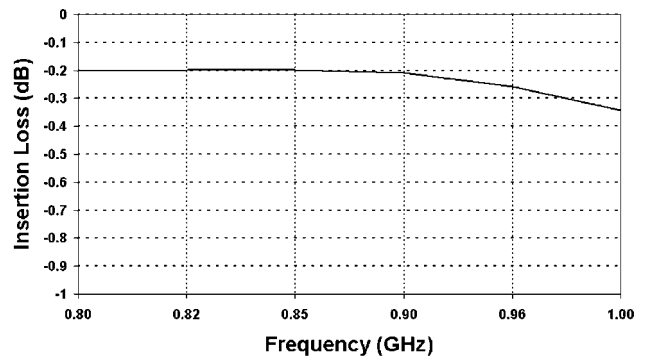


Typical Performance: (@ 25°C in test fixture)

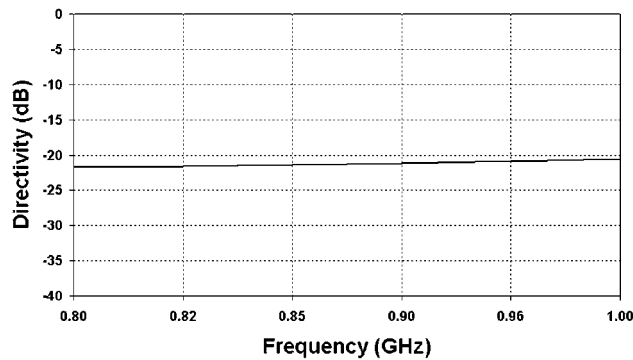
Coupling DN15D10



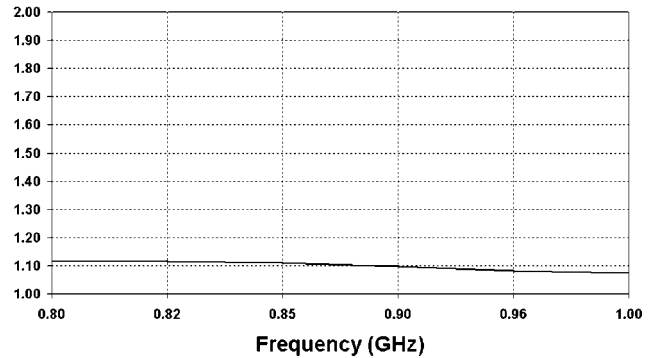
Insertion Loss DN15D10



Directivity DN15D10



VSWR DN15D10



Mounting Footprint for DN Model

