



The HybriX® DS10P series of Directional Couplers is designed with an internal termination. The DS10P series is intended for power monitoring and frequency detection in high power systems. They are manufactured using the highest quality standards in a surface mount package for easy circuit integration.

Specifications

Part Number	DS10P10
Frequency (GHz)	2.3 - 2.7
Mean Coupling (dB)	10 ± 1.0
Insertion Loss (dB Max)	.25
VSWR (Max: 1)	1.20
Frequency Sensitivity (dB Max)	± .40
Isolation (dB Min)	30
Average Power (Watts)	100
Operating Temperature (C°)	-55 to +85
Size (in.)	.560 x .350
Size (mm)	(14.22 x 8.89)

Features/Benefits

- Bandwidth: 2.3 - 2.7 GHz
- Surface Mountable
- Excellent Coupling
- Small Size
- Low VSWR
- Good Directivity
- Low Cost Microstrip Design

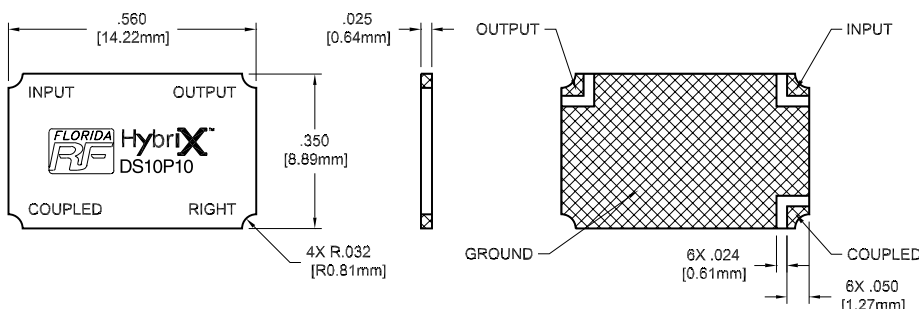
Applications

- 2.5G Applications
- 3G Applications
- Power Monitors
- Reflectometers
- WLL Applications

Ordering Information

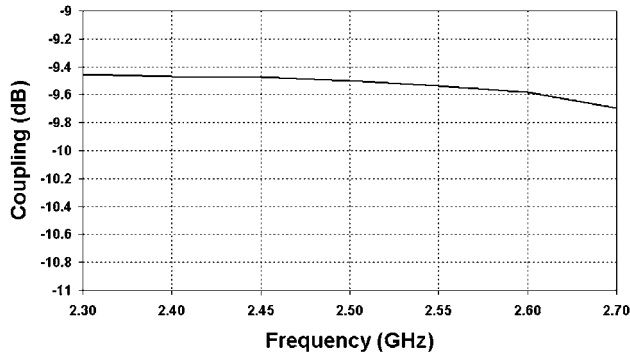
Part Number	Packaging	dB
DS10P10	Tube	10
DS10P10-TR	Tape & Reel	10

Dimensions

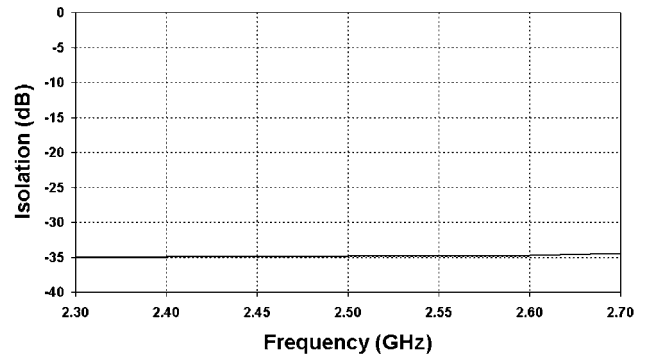


Typical Performance: (@ 25°C in test fixture)

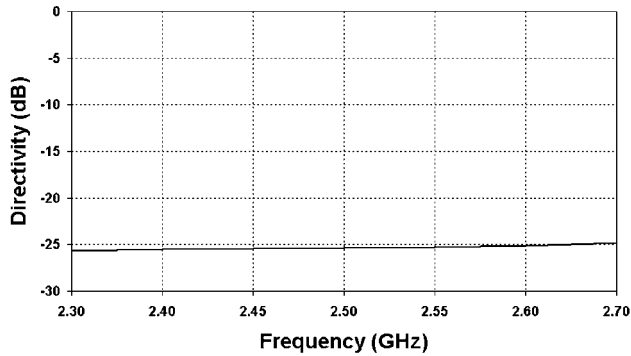
Coupling DS10P10



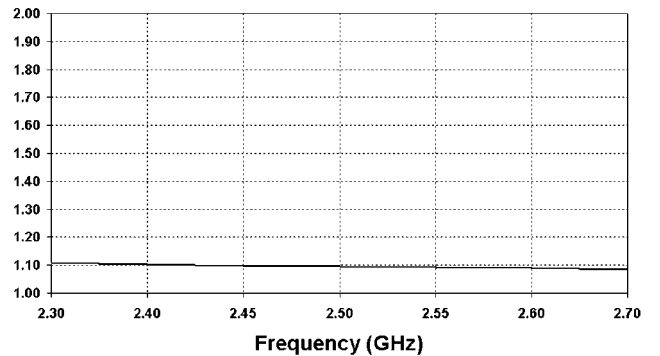
Isolation DS10P10



Directivity DS10P10



VSWR DS10P10



Mounting Footprint for DS Model

