

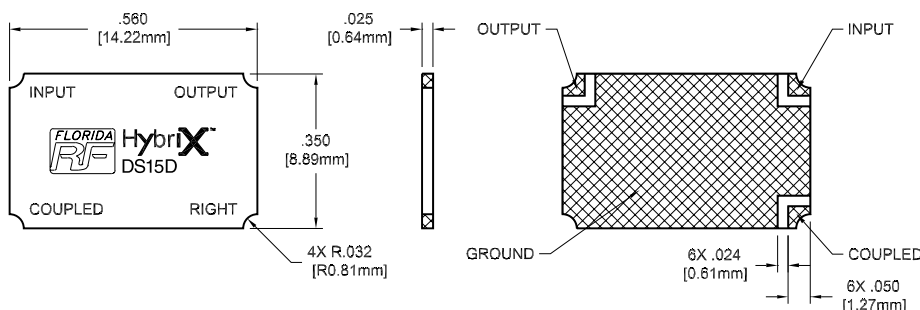


The HybriX® DS15D10 Directional Coupler is designed with a 5W termination included internally to enhance performance of the isolated port. The DS15D10 is intended for power monitoring and frequency detection in high power systems. It is manufactured using the highest quality standards in a surface mount package for easy circuit integration.

Specifications

Part Number	DS15D10
Frequency (GHz)	.815 - .960
Mean Coupling (dB)	10 ± 1.0
Insertion Loss (dB Max)	.20
VSWR (Max: 1)	1.17
Frequency Sensitivity (dB Max)	± .30
Directivity (dB Min)	18
Average Power (Watts)	150
Termination Power (Watts)	5
Operating Temperature (C°)	-55 to +85
Size (in.)	.560 x .350
Size (mm)	(14.22 x 8.89)

Dimensions Right Configuration (DS Series)



Features/Benefits

- Bandwidth: .815 - .960 GHz
- Surface Mountable
- Excellent Coupling
- Small Size
- Low VSWR
- Good Directivity
- Integrated Termination
- Microstrip Technology

Applications

- Cellular Applications
- 2.5G Applications
- Power Monitors
- Reflectometers

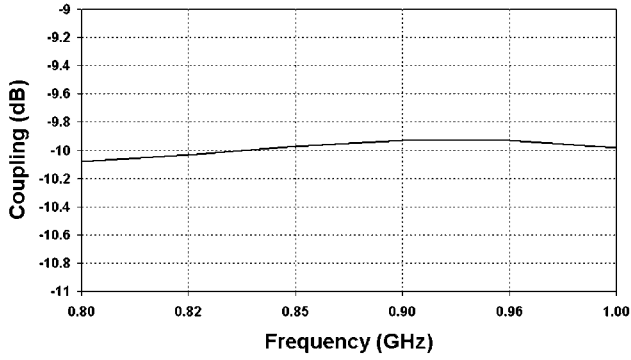
Ordering Information

Part Number	Packaging	dB
DS15D10	Tube	10
DS15D10-TR	Tape & Reel	10

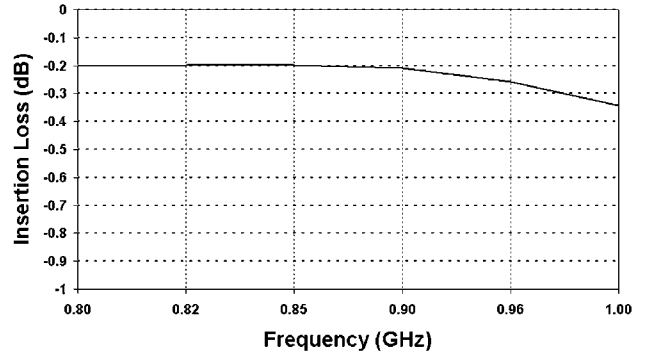
Note: Replace "DS" with "DL" for left configuration

Typical Performance: (@ 25°C in test fixture)

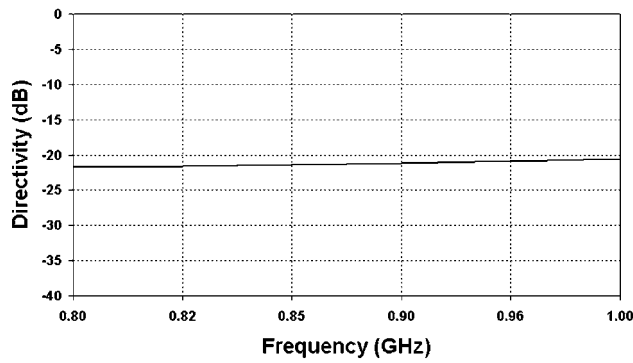
Coupling DS15D10



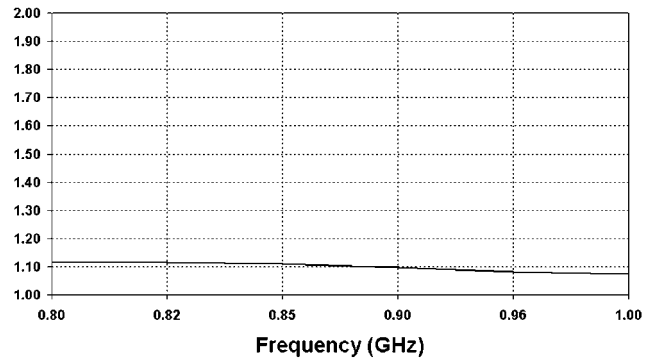
Insertion Loss DS15D10



Directivity DS15D10



VSWR DS15D10



Mounting Footprint for DS Model

