

TITLE: ENGINEERING CONTROL DRAWING.

PART IDENTIFIER: HDDF REV D

DESCRIPTION: HYBRID COUPLER ROHS COMPLIANT (MOD HDDF)

ASSEMBLY DWG: HDDF

1.0 SPECIFICATIONS:

1.1 ELECTRICAL:

- 1.1.1 CHARACTERISTIC IMPEDANCE: 50 OHMS NOMINAL.
- 1.1.2 FREQUENCY: 811 MHz TO 1000 MHz
- 1.1.3 INSERTION LOSS: 0.15 dB MAX
- 1.1.4 VSWR: 1.15 MAX
- 1.1.5 AMPLITUDE BALANCE: ±0.3 dB MAX
- 1.1.6 PHASE BALANCE: ±2%
- 1.1.7 ISOLATION: 26 dB MIN.
- 1.1.8 POWER RATING: 200 WATTS MINIMUM.
- 1.1.9 FOR INPUT ON PORT 1:

PORTS	J1	J2	J3	J4
J1	-	ISO	-90°	0°
J2	ISO	-	0°	-90°
J3	-90°	0°	-	ISO
J4	0°	-90°	ISO	-

1.2 MECHANICAL:

- 1.2.1 OUTLINE DWG: SEE SHEET 2,
- 1.2.2 WORKMANSHIP: PER MIL-HDBK0454 GUIDLINE 9.

1.3 ENVIRONMENTAL:

- 1.3.1 OPERATING TEMPERATURE RANGE: 55°C TO +85°C.
- 1.3.2 NON-OPERATING TEMPERATURE RANGE: N/A

2.0 UNIT MARKING: FLORIDA RF LABS LOGO, HYBRIX AND HDDF.
LEGIBILITY AND PERMANENCY PER MIL-STD-130.

3.0 QUALITY ASSURANCE:

3.1 SAMPLE INSPECT PER MIL-STD-105, LEVEL II, 1.0% AQL.

- 3.1.1 VISUAL AND MECHANICAL EXAMINATION FOR CONFORMANCE TO OUTLINE DRAWING REQUIREMENTS.
- 3.1.2 MEASURE AMPLITUDE RESPONSE.
 - 3.1.2.1 ACCEPTANCE LIMITS: PER 1.1.4, 1.1.5 AND 1.1.7.

3.2 TEST DATA REQUIREMENTS:

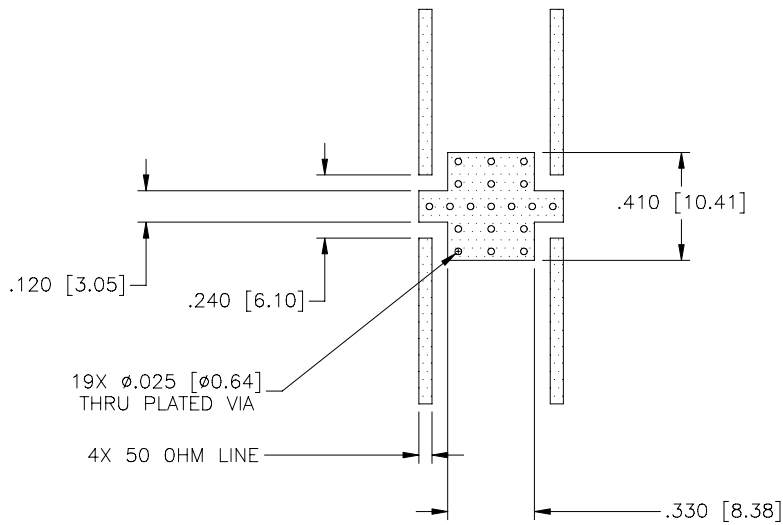
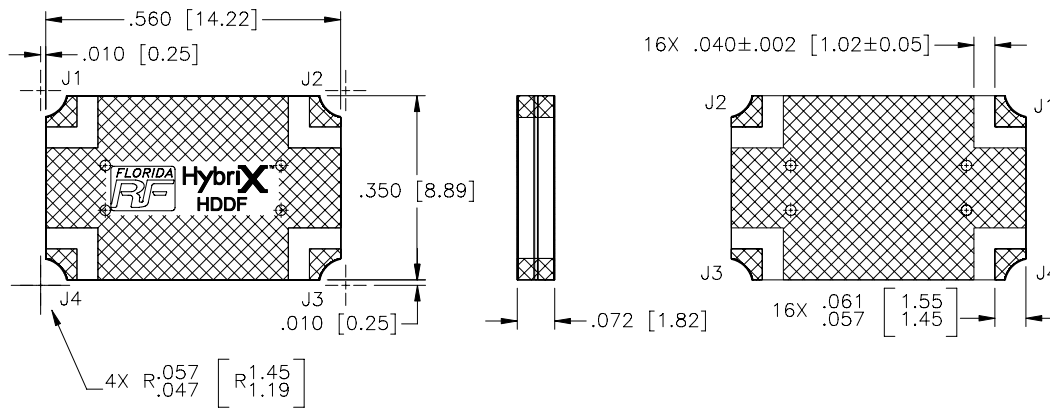
- 3.2.1 NO TEST DATA REQUIRED FOR CUSTOMER.
- 3.2.2 DATA RETENTION - 12 MONTHS

4.0 PACKAGING: PER MC0023, MARK CONTAINER(S) WITH THE FOLLOWING:
CUSTOMER P/N, REVISION LEVEL
VENDOR CODE (24602)
LOT AND DATE CODES.

FLORIDA RF LABS 8851 SW OLD KANSAS AVE. STUART, FL 34997	CAGE CODE # 2Y194		DWG #	HDDF
	CHANGE NOTICE	EN 08-F0064	REV LVL	D
			SHEET	1 OF 2

TOP SIDE

BOTTOM SIDE



SUGGESTED BOARD MOUNTING

FLOIDA
RF
Lab's
8851 SW OLD KANSAS AVE
STUART, FL 34997
PHONE NO. (772)286-9300
FAX NO. (772)283-5286

UNLESS OTHERWISE SPECIFIED DIMENSIONS ARE IN INCHES
TOLERANCES
FRACT ±1/16
ANG ±5°
XX ±0.01
XXX ±0.010
XXXX ±0.0005

THESE DRAWINGS AND SPECIFICATIONS ARE THE PROPERTY OF EMC TECHNOLOGY INC AND SHALL NOT BE DUPLICATED OR USED AS BASIS FOR THE MANUFACTURE OR SALE OF PARTS OR DEVICES WITHOUT PERMISSION.

CAGE CODE	SCALE	DRAWN BY	CHECKED BY	APPROVED BY
2Y194	5:1	BDB 08/08/07		
REV	CHANGE NOTICE	DRAWING NO	SHEET	
D	EN 08-F0064	HDDF	2 OF 2	