

EDD

CAD#HDE_A

DRAWING NO.:

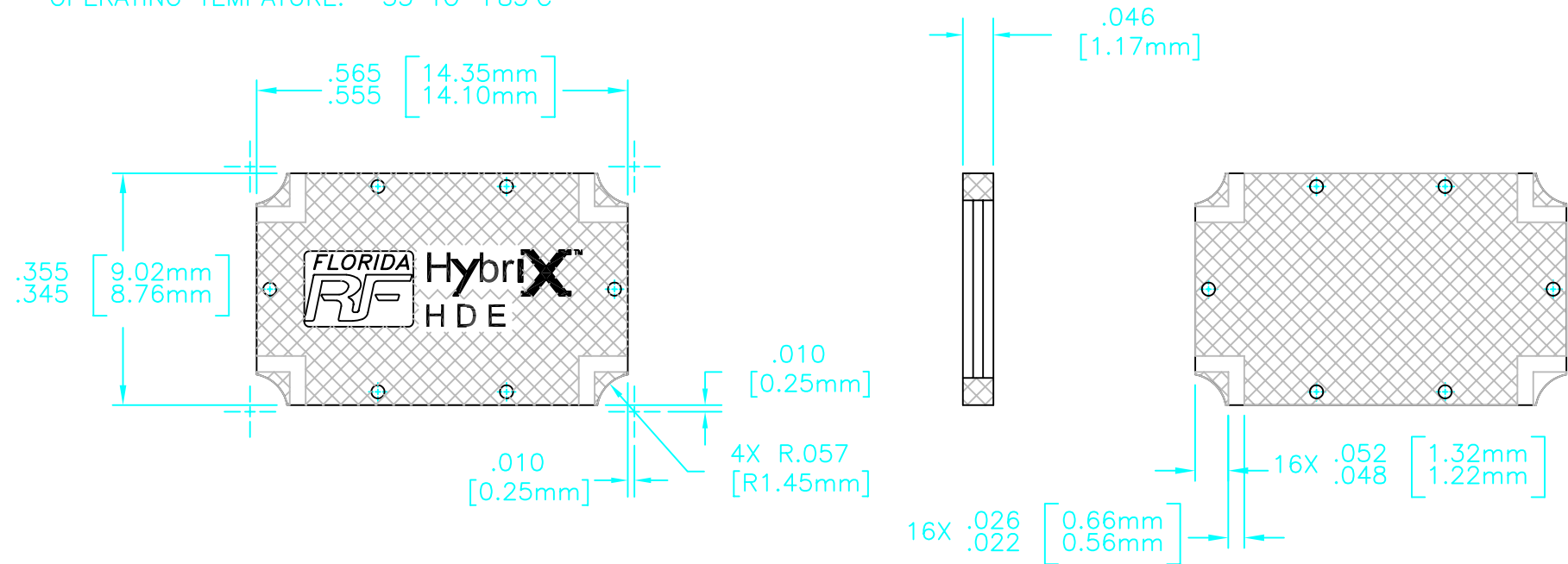
HDE


REV.

A

NOTES:

- 1. FREQUENCY: 1.0–2.0 GHz
- ISOLATION (MIN): 26 dB
- INSERTION LOSS (MAX): 0.45 dB
- VSWR (MAX): 1.15:1
- AMPLITUDE BALANCE: ± 0.50 dB
- PHASE BALANCE: ± 2°
- POWER HANDLING: 200 WATT CONTINUOUS @ 85°C
- OPERATING TEMPERATURE: -55 TO +85°C



				EN# 04-F0288	APVD NR	DATE 6/24/04	REFERENCE	 8851 OLD KANSAS AVE. STUART, FL. 34997 772-286-9300			
UNLESS OTHERWISE SPECIFIED 1. DO NOT SCALE DRAWING 2. DIMENSIONS ARE IN INCHES 3. DIMENSIONS ARE AFTER PLATING 4. CORNERS, EDGES AND FILLETS: R MAX 5. SURFACE ROUGHNESS: 63 6. REMOVE ALL BURRS							MATERIAL	TITLE			
TOLERANCES .X ± .XX ± .XXX ± ANGLES X° ± X°							FINISH	COUPLER, HYBRID, 200 WATT			
				THE INFORMATION CONTAINED HEREIN IS: (A) CONSIDERED PROPRIETARY TO FLORIDA RF LABS INC.; (B) PROTECTED BY COPYRIGHT OWNED BY FLORIDA RF LABS INC.; (C) CONSIDERED A "WORK FOR HIRE" UNDER COPYRIGHT LAW; (D) PROTECTED BY TRADE SECRET LAWS WHICH MAKE ILLEGAL THE MISAPPROPRIATION OF THIS INFORMATION; AND (E) IS TO BE USED SOLELY FOR THE PURPOSE WHICH IT IS SUPPLIED. THIS INFORMATION SHALL NOT BE DISCLOSED IN WHOLE OR IN PART, TO ANY PARTY, FOR ANY REASON WITHOUT THE EXPRESS WRITTEN CONSENT OF A QUALIFIED EXECUTIVE OF FLORIDA RF LABS INC.			SCALE 4/1	CAGE CODE ID NO. 2Y194	SIZE A	DRAWING NO.:	REV.
A	EN# 04-F0507	JG 12/17/04							HDE	A	
REV.	DESCRIPTION	DRAWN	APVD.	MFG: MK 6/23/04	CHKD.: DR 6/15/04	DRAWN: JAD 06/02/04	SHEET OF				