

EDD

CAD#HEA

DRAWING NO.:

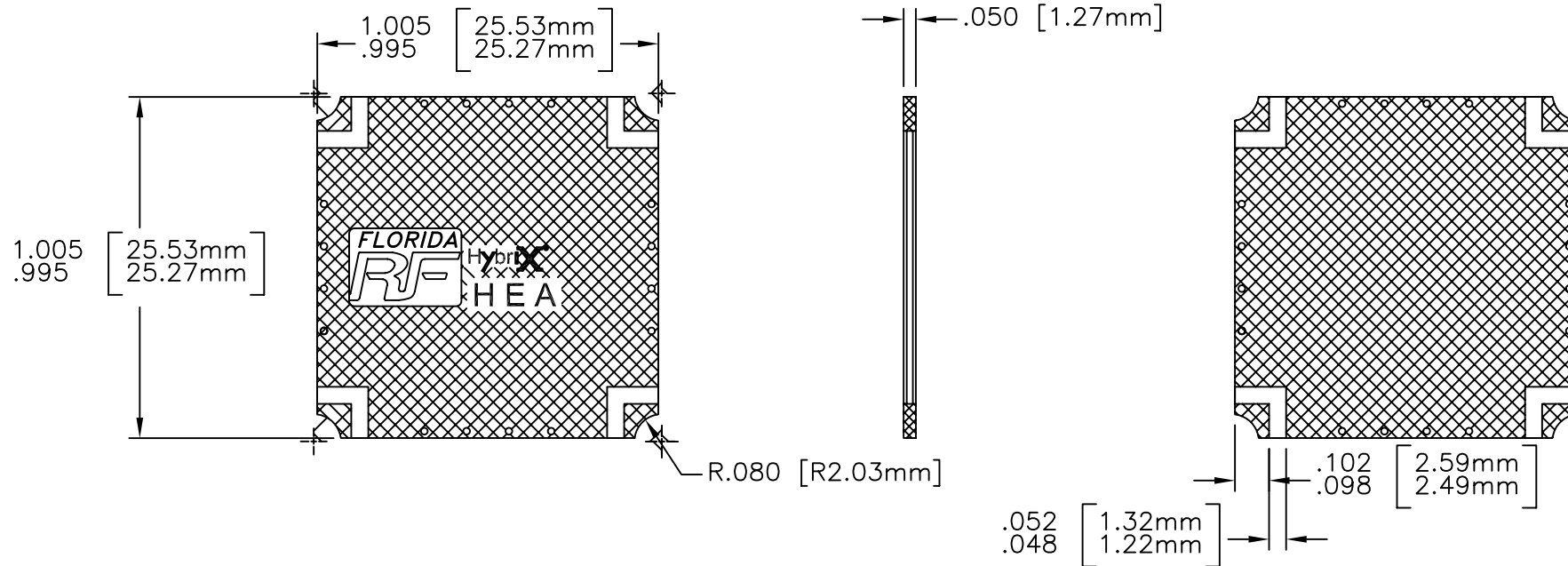
HEA


REV.

N/C

NOTES:

- 1. FREQUENCY: 150-175 MHz
- ISOLATION (MIN): 20 dB
- INSERTION LOSS (MAX): 0.2 dB
- VSWR (MAX): 1.17:1
- AMPLITUDE BALANCE: ± 0.2 dB
- PHASE BALANCE: ± 2°
- POWER HANDLING: 200 WATT CONTINUOUS @ 85°C
- OPERATING TEMPERATURE: -55 TO +85°C



				EN# 05-F0256	APVD	DATE	REFERENCE	 8851 OLD KANSAS AVE. STUART, FL. 34997 772-286-9300		
				UNLESS OTHERWISE SPECIFIED 1. DO NOT SCALE DRAWING 2. DIMENSIONS ARE IN INCHES 3. DIMENSIONS ARE AFTER PLATING 4. CORNERS, EDGES AND FILLETS: R MAX 5. SURFACE ROUGHNESS: 63 6. REMOVE ALL BURRS			MATERIAL	TITLE		
				TOLERANCES .X ± .XX ± .XXX ± ANGLES X° ± X°			FINISH	COUPLER, HYBRID, 200 WATT		
				THE INFORMATION CONTAINED HEREIN IS: (A) CONSIDERED PROPRIETARY TO FLORIDA RF LABS INC.; (B) PROTECTED BY COPYRIGHT OWNED BY FLORIDA RF LABS INC.; (C) CONSIDERED A "WORK FOR HIRE" UNDER COPYRIGHT LAW; (D) PROTECTED BY TRADE SECRET LAWS WHICH MAKE ILLEGAL THE MISAPPROPRIATION OF THIS INFORMATION; AND (E) IS TO BE USED SOLELY FOR THE PURPOSE WHICH IT IS SUPPLIED. THIS INFORMATION SHALL NOT BE DISCLOSED IN WHOLE OR IN PART, TO ANY PARTY, FOR ANY REASON WITHOUT THE EXPRESS WRITTEN CONSENT OF A QUALIFIED EXECUTIVE OF FLORIDA RF LABS INC.		SCALE	CAGE CODE ID NO.	SIZE	DRAWING NO.:	REV.
				4/1	2Y194	A	HEA	N/C		
REV.	DESCRIPTION	DRAWN	APVD.	MFG:	CHKD.:	DRAWN: AWM	04/28/05	SHEET	OF	