

EDD

NOTES:
UNLESS OTHERWISE SPECIFIED, TOLERANCES ARE $\pm .010"$ [0.254MM].

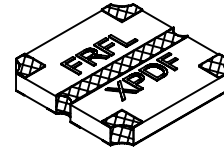
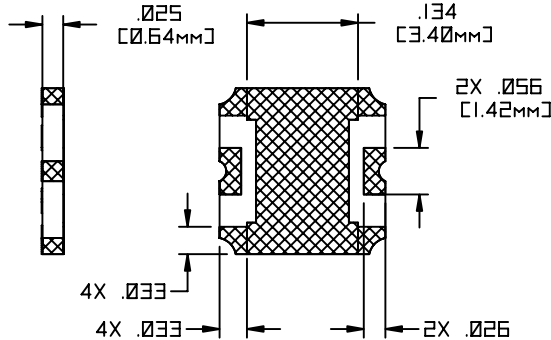
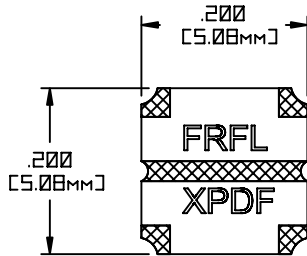
CAD#XPDF

DRAWING NO.:

XPDF

REV.

-



MATERIALS:

SUBSTRATE: ALUMINA

FINISH:

LEAD FREE, RoHS COMPLIANT
TERMINALS: SILVER PLATED

TECHNICAL: (TRANSMISSION LINE)


NOMINAL IMPEDANCE: 50 OHMS
FREQUENCY RANGE: DC-4 GHz
VSWR (MAX): DC - 2.5 GHz, 1.10
2.5 - 4.0 GHz, 1.35

AVERAGE POWER: 30 W
INSERTION LOSS (MAX):

DC - 2.5 GHz, 0.05 dB
2.5 - 4.0 GHz, 0.15 dB

TEMPERATURE COEFFICIENT: ± 200 PPM

OPERATING TEMPERATURE: -55°C TO +85°C

				EN# 05-F0639	APVD	DATE	REFERENCE	 8851 OLD KANSAS AVE. STUART, FL. 34997 772-286-9300			
				UNLESS OTHERWISE SPECIFIED			MAX	TITLE			
				1. DO NOT SCALE DRAWING 2. DIMENSIONS ARE IN INCHES 3. DIMENSIONS ARE AFTER PLATING 4. CORNERS, EDGES AND FILLETS: R 5. SURFACE ROUGHNESS: 6. REMOVE ALL BURRS						MATERIAL	RF/DC CROSSOVER
				TOLERANCES			FINISH				
				.X ± .XX ± .XXX ± ANGLES X° ±			SCALE	CAGE CODE ID NO.	SIZE	DRAWING NO.:	REV.
				THE INFORMATION CONTAINED HEREIN IS (A) CONSIDERED PROPRIETARY TO FLORIDA RF LABS INC; (B) PROTECTED BY COPYRIGHT OWNED BY FLORIDA RF LABS INC; (C) CONSIDERED A "WORK FOR HIRE" UNDER COPYRIGHT LAW; (D) PROTECTED BY TRADE SECRET LAWS WHICH MAKE ILLEGAL THE MISAPPROPRIATION OF THIS INFORMATION AND (E) IS TO BE USED SOLELY FOR THE PURPOSE WHICH IT IS SUPPLIED. THIS INFORMATION SHALL NOT BE DISCLOSED IN WHOLE OR IN PART, TO ANY PARTY, FOR ANY REASON WITHOUT THE EXPRESS WRITTEN CONSENT OF A QUALIFIED EXECUTIVE OF FLORIDA RF LABS INC.			6/1	2Y194	A	XPDF	-
REV.	DESCRIPTION	DRAWN	APVD.				MFG:	CHKD.:	DRAWN: JG	09/23/05	SHEET