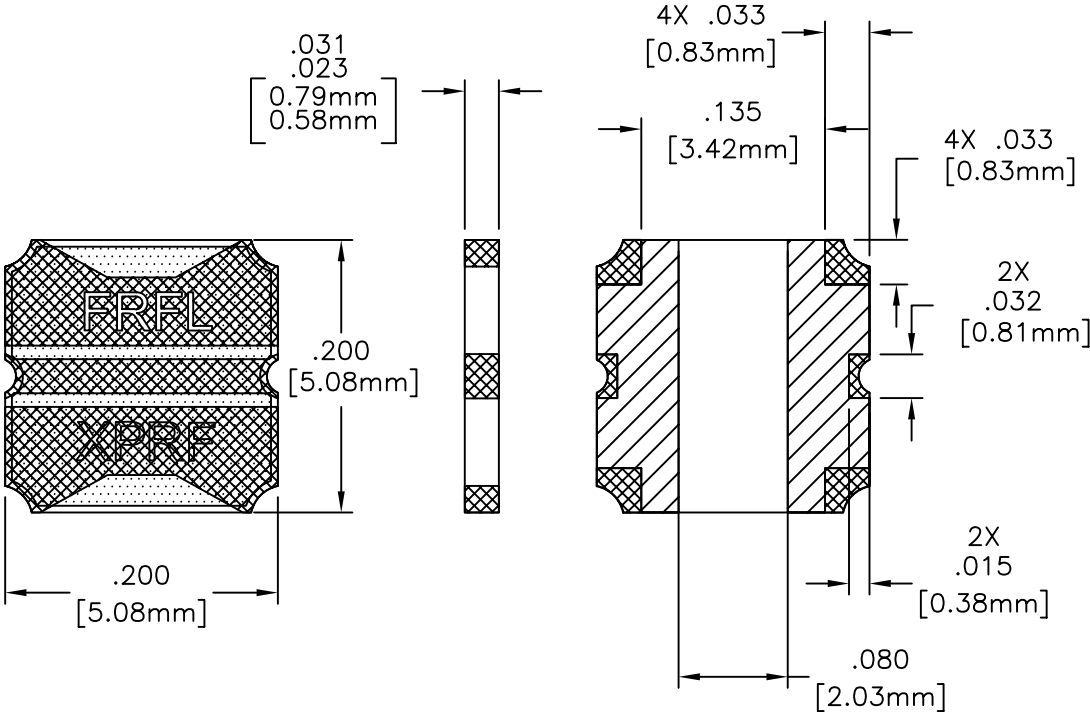


NOTES:
UNLESS OTHERWISE SPECIFIED, TOLERANCES ARE ± .010" [.254mm].



MATERIALS:
SUBSTRATE: 96% AL₂O₃

FINISH:
RoHS COMPLIANT
SOLDERABLE TERMINALS: SILVER PLATED

TECHNICAL: (TRANSMISSION LINE)
NOMINAL IMPEDANCE: 50 OHMS
FREQUENCY RANGE: DC-7 GHz

VSWR, DC TO 1.0 GHz	1.10 MAX
1.0 TO 2.5 GHz	1.20 MAX
2.5 TO 3.6 GHz	1.20 MAX
3.6 TO 7.0 GHz	1.35 MAX

ISOLATION, DC TO 1.0 GHz	40 dB MIN
1.0 TO 2.5 GHz	30 dB MIN
2.5 TO 3.6 GHz	30 dB MIN
3.6 TO 7.0 GHz	30 dB MIN

INSERTION LOSS, DC TO 1.0 GHz	0.05 dB MAX
1.0 TO 2.5 GHz	0.05 dB MAX
2.5 TO 3.6 GHz	0.15 dB MAX
3.6 TO 7.0 GHz	0.25 dB MAX

AVERAGE POWER: 30 W
TEMPERATURE COEFFICIENT: ± 200 PPM
OPERATING TEMPERATURE: -55°C TO +85°C

REFERENCE	-		TOLERANCES	UNLESS OTHERWISE SPECIFIED		<small>THE INFORMATION CONTAINED HEREIN IS (A) CONSIDERED PROPRIETARY TO FLORIDA RF LABS INC. (B) PROVIDED BY COPYRIGHT OWNED BY FLORIDA RF LABS INC. (C) CONSIDERED A "TRICK FOR THE TRICK" UNDER COPYRIGHT LAWS (D) PROTECTED BY TRADE SECRET LAWS WHICH MAKE ALIEN THE REPRODUCTION OF THIS INFORMATION AND (E) IS TO BE USED ONLY FOR THE PURPOSES INTENTED BY THE WRITER. THIS INFORMATION SHALL NOT BE DISCLOSED IN WHOLE OR IN PART, TO ANY ENTITY, FOR ANY REASON WITHOUT THE EXPRESS WRITTEN CONSENT OF A QUALIFIED EXECUTIVE OF FLORIDA RF LABS INC.</small>
FINISH	-		FRAC	-		
MATERIAL	-		XX	-		
EN# 06-F0550	-	6/27/06	XXX	-		
CHANGE DESCRIPTION	REV	DATE	XXXX	DATE	DRAWN BY	APPROVED BY
					AWM	-
			8851 SW OLD KANSAS AVE STUART, FL 34997 PHONE NO. (772) 286-9300 FAX NO. (772) 283-5286			TITLE
						RF/RF CROSSOVER
			CAGE CODE ID NO.	PLOT SCALE	DRAWING NUMBER	SHEET
			2Y194	1/1	XPRF	10F2