

VNA: 37369A

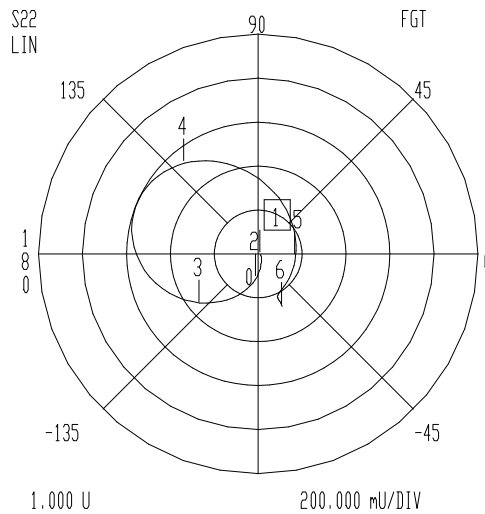
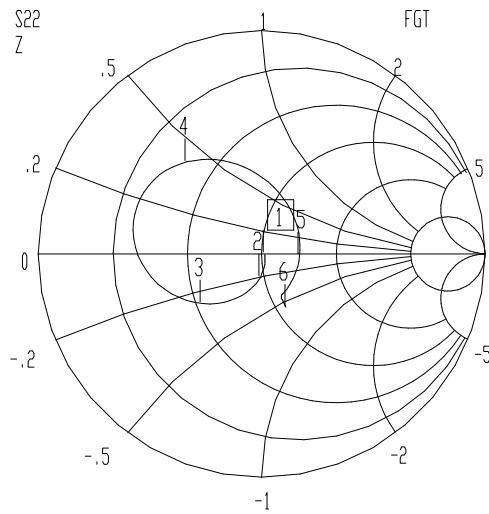
MODEL: 31-1099-50  
 DEVICE: 1

DATE: 12/18/2001 17:52  
 OPERATOR:

START: 0.040000000 GHz  
 STOP: 4.000000000 GHz  
 STEP: 0.040000000 GHz

GATE START: -20.0000 ps  
 GATE STOP: 135.0000 ps  
 GATE: NOMINAL  
 WINDOW: NOMINAL

ERROR CORR: REFL PORT2  
 AVERAGING: 1 PT  
 IF BNDWIDTH: 1 KHz

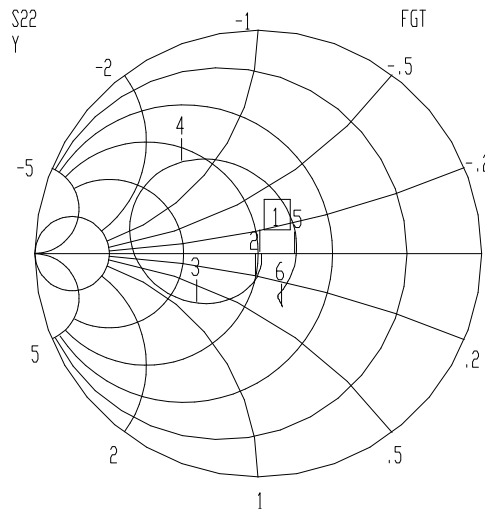
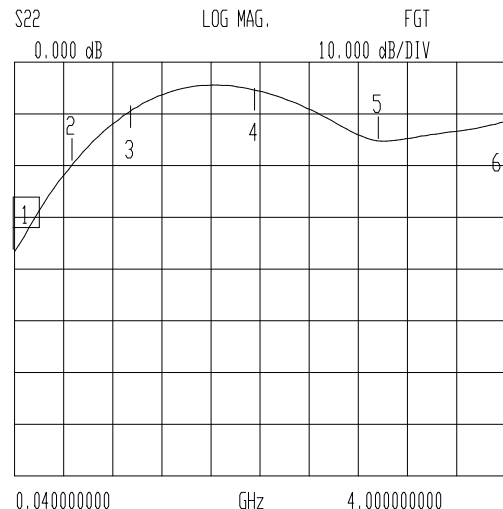


CH 4 - S22  
 REFERENCE PLANE  
 8.8359 cm

MARKER 1  
 0.040000000 GHz  
 19.449 mS  
 181.461 ju

MARKER TO MAX  
 MARKER TO MIN

- 2 0.520000000 GHz  
19.731 mS  
4.201 ju
- 3 1.000000000 GHz  
29.805 mS  
15.159 ju
- 4 2.000000000 GHz  
23.566 mS  
-26.827 ju
- 5 3.000000000 GHz  
14.150 mS  
323.416 ju
- 6 4.000000000 GHz  
14.427 mS  
7.463 ju



MARKER READOUT  
 FUNCTIONS