

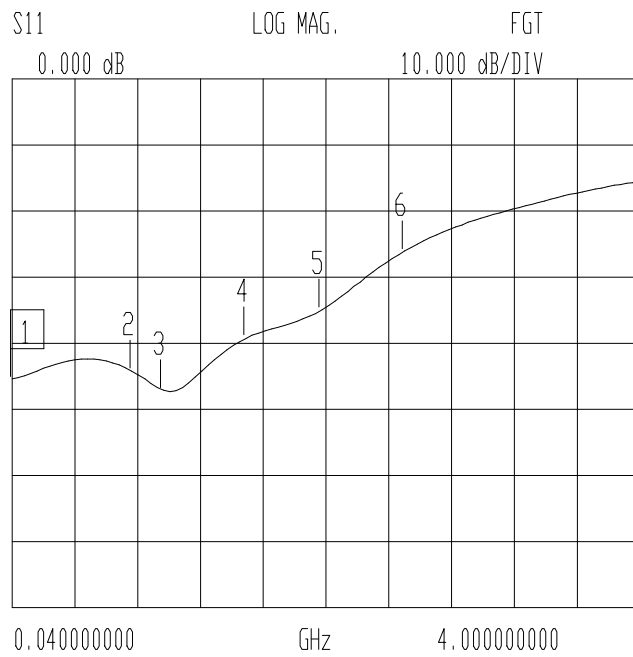
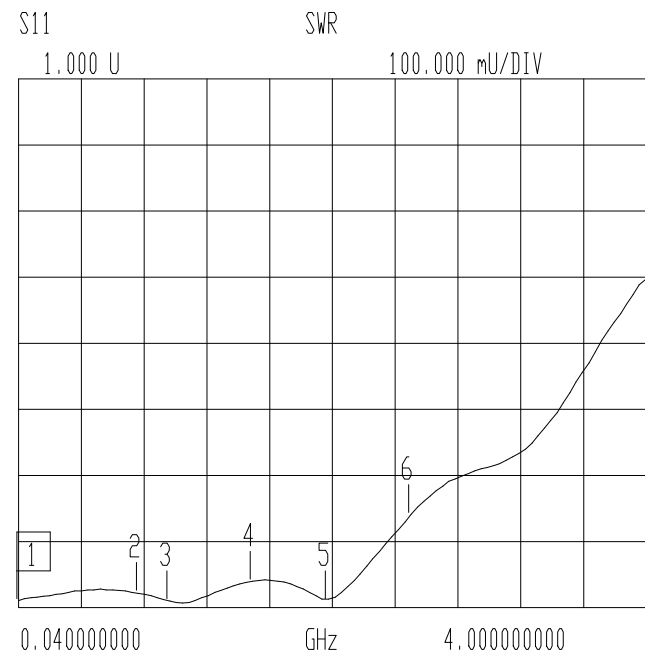
VNA: 37297C

MODEL: 82-7008TC 30TAB
 DEVICE: 21

DATE: 06/20/2002 09:36
 OPERATOR:

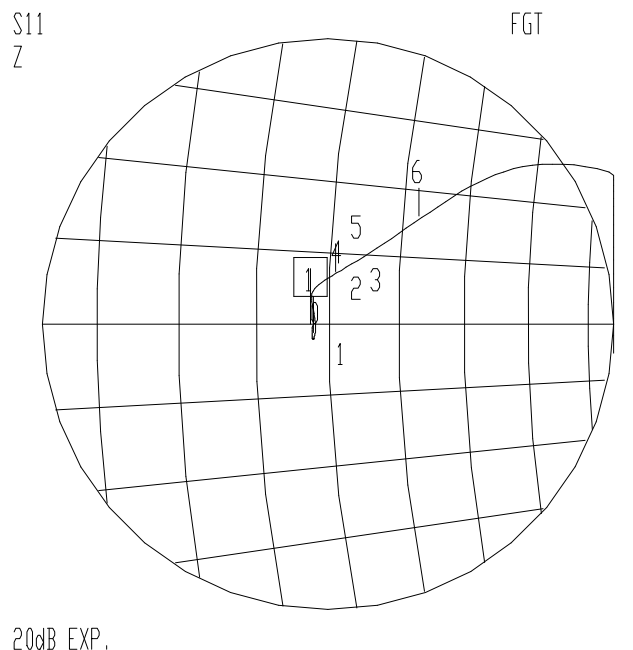
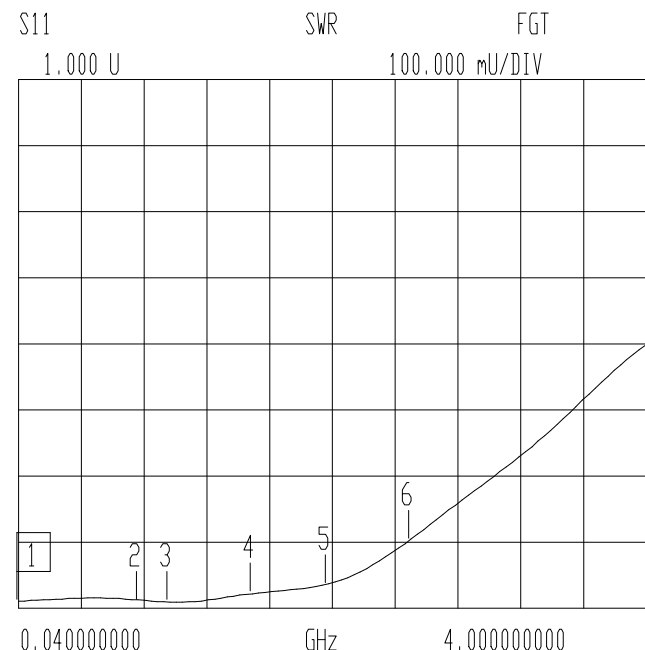
FX-0488 DEV. SHIM 04. .030 tab, .025 lid.

START: 0.040000000 GHz GATE START: -10.0000 ps ERROR CORR: REFL PORT1
 STOP: 4.000000000 GHz GATE STOP: 183.5938 ps AVERAGING: 1 PT
 STEP: 0.040000000 GHz GATE: NOMINAL IF BNDWDTH: 1 KHz
 WINDOW: NOMINAL



CH 3 - S11
 REFERENCE PLANE
 12.2768 cm
 MARKER 1
 0.040000000 GHz
 1.011 U

MARKER TO MAX
 MARKER TO MIN
 2 0.800000000 GHz
 1.012 U



3 1.000000000 GHz
 1.009 U
 4 1.520000000 GHz
 1.022 U
 5 2.000000000 GHz
 1.036 U
 6 2.520000000 GHz
 1.105 U

MARKER READOUT
 FUNCTIONS